

SE40515

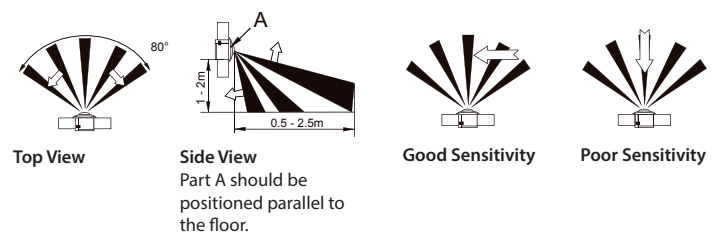
In Cabinet PIR Sensor Switch



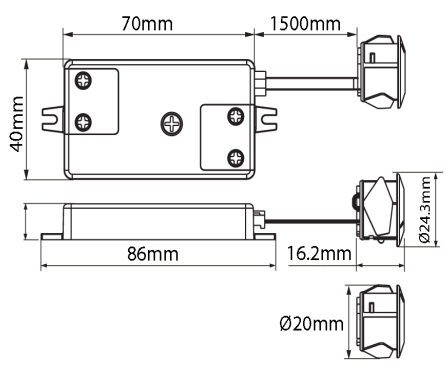
Specification:

- Wattage:** 250W
- Use With:** 12V ■ or 24V ■ or 240V products
- Cable Length:** 1.5m
- Detection Range:** 0.5 - 2.5m

Operation:



Dimensions: (mm)



Key Selling Points:

- Suitable to be used with 12V, 24V or 240V products (without an integrated sensor).
- Works as an on/off switch for lighting installed inside cabinets or wardrobes.
- Mount at the back or in the side of a cabinet, as the detection range is 0.5m - 2.5m.
- 80 degree detection angle.
- An attractive and effective lighting control option.
- Small and discreet product.
- Can be used in kitchens or bedrooms