

SENSIO TRIOTONE™ HYPE Colour Selectable Surface Light



Specification:

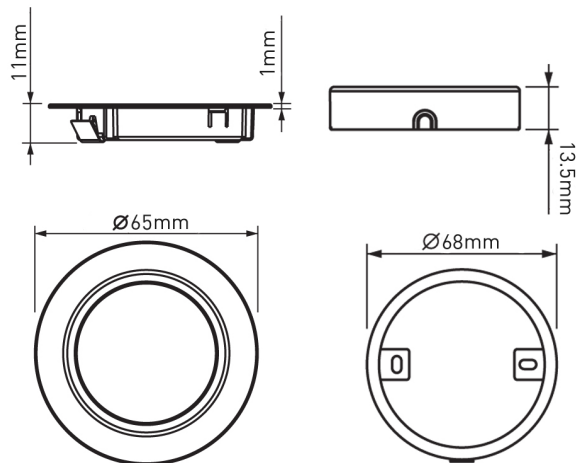
- Wattage:** 1.65W
- Voltage:** 24V
- Kelvin:** Cool White (5000K)
Natural White (4000K)
Warm White (3000K)
- Beam Angle:** 110 degrees
- Lifespan:** 35,000 hours
- Finish:** Stainless Steel
- Cable Length:** 1.5m
- Lumens:** 150 lm (CW) 150 lm (NW) 130 lm (WW)



Product Code:

- SE21100** - Sensio TrioTone™ Hype Colour Selectable Surface Light
- SE21100K2** - Sensio TrioTone™ Hype Colour Selectable Surface Light - 2 Pack
- SE21100K3** - Sensio TrioTone™ Hype Colour Selectable Surface Light - 3 Pack

Dimensions:



Key Selling Points:

- > One light, three whites: warm, natural and cool white.
- > Available in a Triangle housing or surface/recess housing with collar supplied.
- > Reduced SKUs with only one light to stock that supplies all LED colours in one fitting.
- > Diffused LED's so no individual LED diodes can be seen.
- > Choose the LED colour you prefer prior to installation.
- > If you decide that the LED colour choice is wrong after installation simply remove the LED centre and select a different LED colour.
- > This fitting provides ultimate flexibility.
- > 50% brighter than SLS.