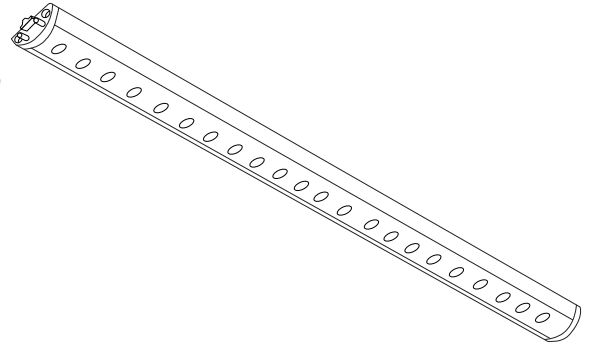


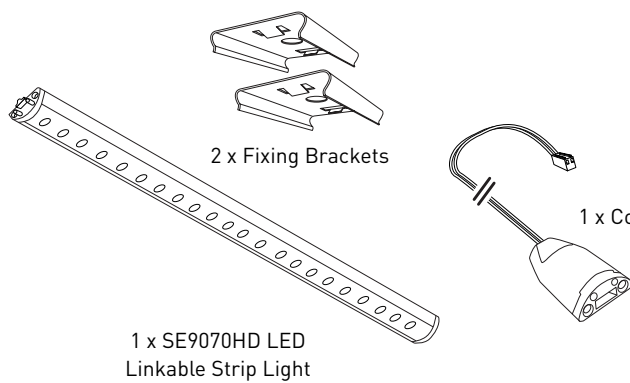
HD LED LINKABLE STRIP LIGHT - 400MM



CODE: SE9070HD

IMPORTANT: please read these instructions before commencing installation and retain for future reference.

Components



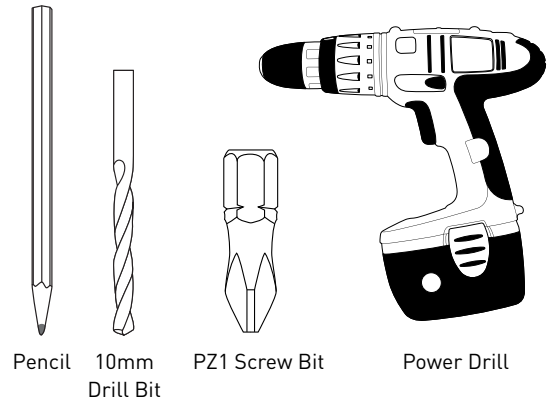
2 x Fixing Brackets

1 x SE9070HD LED
Linkable Strip Light

1 x Connector Cable

1 x Fitting Instructions

Tools required



Pencil

10mm
Drill Bit

PZ1 Screw Bit

Power Drill

Important safety information

Please read these instructions carefully before attempting to install this product. It is advisable to keep these instructions in a safe place for further reference.

We recommend that you consult a qualified electrician. All electrical installations must be carried out in accordance with current IEE wiring regulations (BS7671).

These products must not be modified, if any modifications are made, it may invalidate the warranty and may render the product unsafe. These LED lights operate low voltage (24V).

Do not wire the individual LED light fittings directly to the mains. This product is for indoor use only. Keep out of moisture and use only in dry rooms.

- If in doubt installation must be carried out by a qualified electrician.
- Install on smooth flat surface(s) only.
- The Wattage of this product is 4.6W. Make sure that the LED driver used with these fittings has an adequate max wattage.
- We recommend using the SE40555 15W 24V LED Driver with this fitting. You will be able to run a maximum of **3** fittings per driver. Alternatively, use the SE40556 30W 24V LED Driver. A maximum of **6** fittings can be run from this driver.

Safety instructions

1. Before commencing installation or maintenance, isolate the main electrical supply for the appropriate circuit at the fuse board.
2. This product requires a 24V LED driver which is only suitable for connecting to a 240V 50Hz supply.
3. The light should be mounted onto a secure surface.
4. Position lights where they will not be exposed to steam or splashes etc.
5. Suitable for furniture lighting.
6. When the lamp expires the fitting must be replaced.
7. Class III safety extra low voltage (SELV).

Waste Electrical & Electronic Equipment (WEEE)

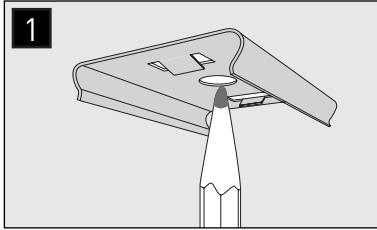
The Symbol on the product, or on the document accompanying the product, the crossed out wheeltie bin symbol, indicated that this product may not be treated as household waste. Instead it shall be handed over to the applicable collection point for the recycling of electrical and electronic waste.



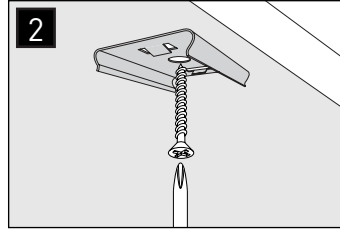
RoHS ✓
Compliant



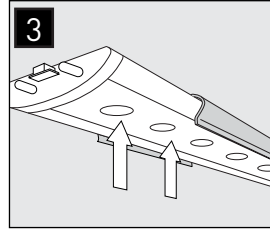
Installation



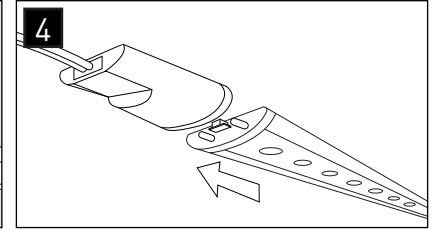
1 Mark-up and drill the holes in the cabinet for the fixing brackets.



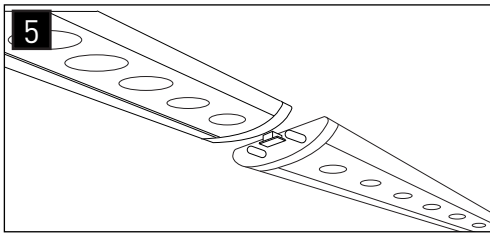
2 Screw brackets securely.



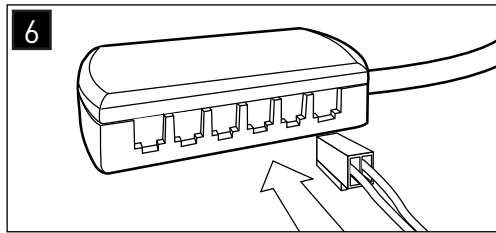
3 Once brackets are in place, push the SE9070HD unit into the brackets.



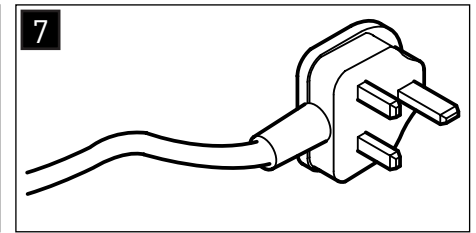
4 Connect the Lincus cable into the side of the SE9070HD unit.



5 Multiple SE9070HD fittings can be interlinked together to form a continuous run of light.

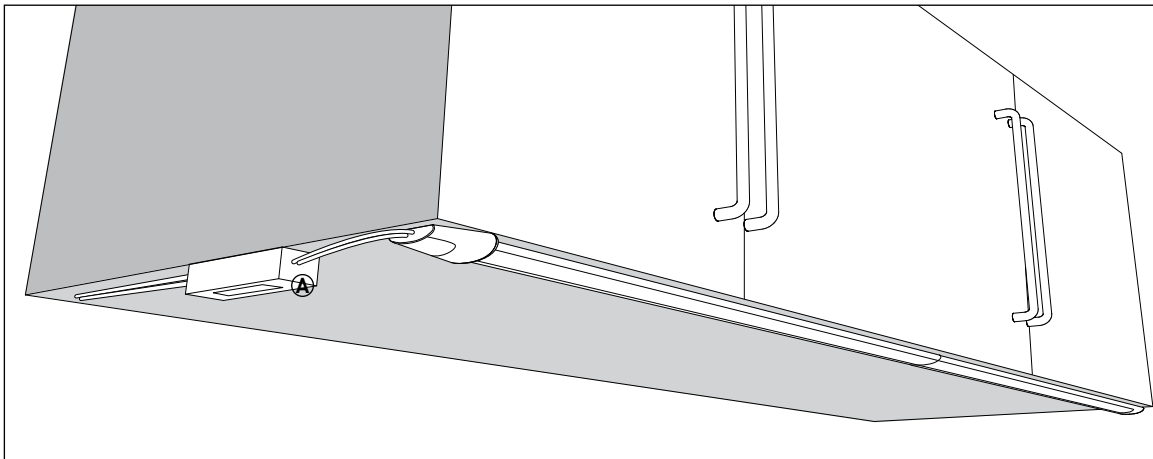


6 Plug the white connector on the end of the Lincus lead into the 24V LED driver distributor block. Beware not to exceed the wattage of the LED driver, the max wattage will be displayed on the 24V LED driver and on the light unit fitting it will display the wattage requirement.



7 Finally wire the LED driver to 240V mains supply or 13A plug top.

Operation



A. SE40520. The HD LED Linkable Strip Light Sensor Switch can be used as an optional switching method for the SE9070HD. The light fittings then connect back to the driver via the sensor switch. Sold separately.

Maintenance & Care

- Ensure that the power is disconnected prior to cleaning.
- To keep the finish of this product, wipe over with soft cloth periodically.
- Do not use harsh chemical solvents, it may dis-colour or damage the finish.