

Installation Manual



Model: SE40518

Isolated IR switch controller with flexible IR sensor detector.

Mounting schematics

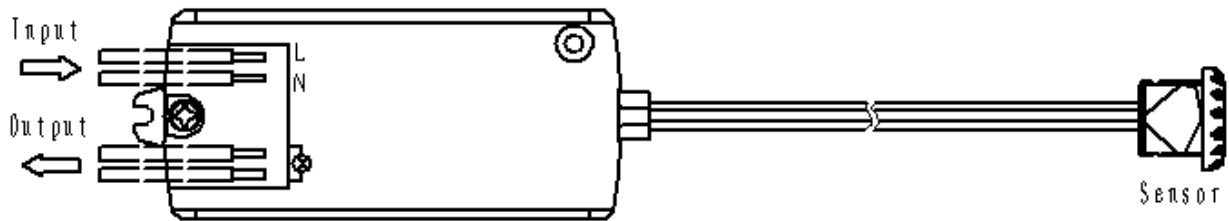


Fig.1

Input: 100-240V~50/60Hz
Max. load power: 250VA
Sensor input: 2m sensor cable with IR sensor
Max. sensor distance: 5cm~10cm

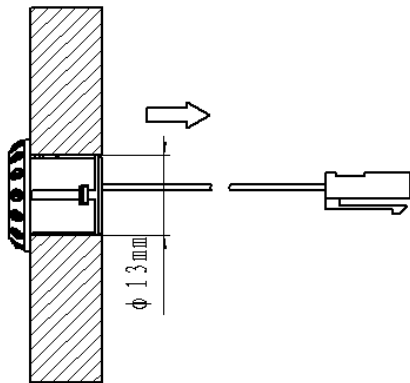


Fig.2

Drilling a hole of $\phi 13\text{mm}$ at desired position and mount the IR-Sensor detector as shown on figure 2 on the left, and connect the plug to the controller of SE40518.

Attention:

Installation must be carried out by a qualified Electrician.

Make sure to connect the SE40518 to properly installed mains only. Cut connection to the mains during assembly.

Keep IR-sensor detector clean to avoid the unwanted action of the sensor.

Make sure that IR-sensor is fixed correctly in the installation hole; otherwise its function can be affected.

The IR-sensor reacts when the item blocking the sensor is removed (a door opening). The IR sensor controller switches on when it detects the object within its detecting range and switches off when it detects the object within its detecting range again.

Keep any waving objects within the detection area away to avoid unwanted action.