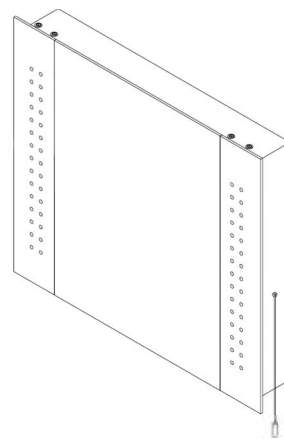


**INSTALLATION
INSTRUCTIONS**

**1 x FINLAY
LED CABINET
MIRROR**

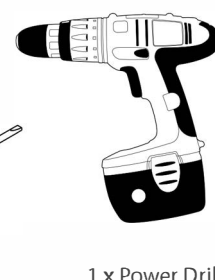
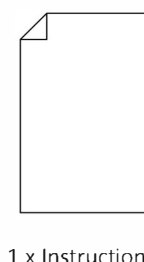
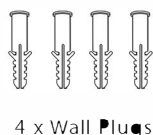
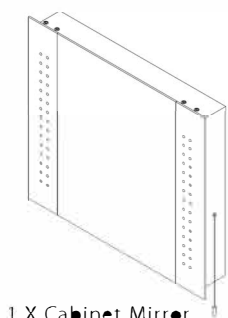
CODE: SE30826C0



IMPORTANT: Please read these instructions before commencing installation and retain for future reference.

Components

Tools required



Important Safety Information

Please read these instructions carefully before attempting to install this product. It is advisable to keep these instructions in a safe place for future reference.

We recommend that you consult a qualified electrician. All electrical installation must be carried out in accordance with current IEE wiring regulations (BS7671).

These products must not be modified, if any modification are made, it may invalidate the warranty and may render the product unsafe.

This fitting should be used indoors only.

- If in doubt installation must be carried out by a qualified electrician.
- Install on smooth flat surface(s) only.
- Do not exceed or stretch the cable length of each LED wire.
- There are 60 x 0.07 high power LED's in this mirror.
- 650mm (W) x 600mm (H) x 105mm (D)
- Please make sure the LED's are working correctly before commencing installation.

Safety Instructions

1. Before commencing installation or maintenance, isolate the main electrical supply for the appropriate circuit at the fuse board.
2. This product is only suitable for connecting to a 220-240V 50Hz supply.
3. The mirror should be mounted onto a secure surface.

4. When installing please take care to avoid water pipes, joints and electrical cables.

Waste Electrical & Electronic Equipment (WEEE)

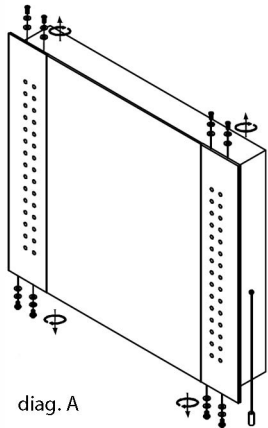
The symbol on the product, or on the document accompanying the product, the crossed out wheellie bin symbol, indicates that this product may not be treated as household waste. Instead it shall be handed over to the applicable collection point for the recycling of electrical and electronic waste.



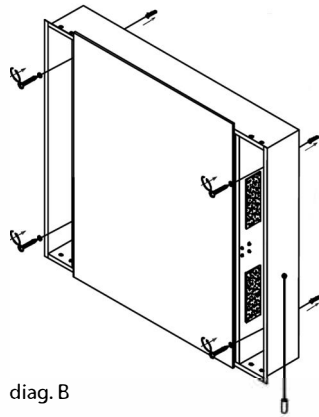
RoHS
Compliant ✓



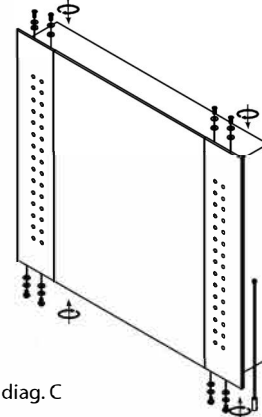
1 x FINLAY LED CABINET MIRROR



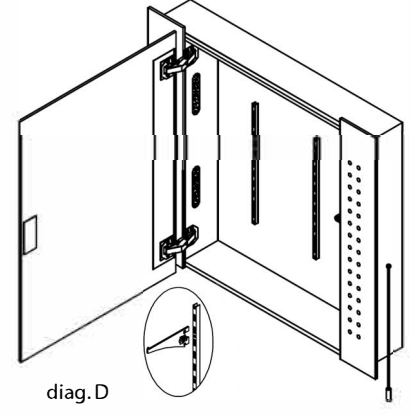
diag. A



diag. B



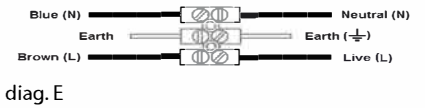
diag. C



diag. D

Lay the mirror on a flat surface with the front glass panel facing upwards. Using a cross-headed screwdriver, remove the four screws, metal and plastic washers from the metal casing at the rear of the mirror (diag. A). Carefully lift the front glass panel off the mirror (diag. B) and place it onto a soft, flat surface to avoid damage to the glass. Mark the position of the fixing holes in the back on the wall, avoiding any wiring or water pipes. Drill and prepare the holes for the screws ensuring that the wall is solid material. Mount the metal black box of the mirror onto the wall and secure tightly. Pierce the protective IP rated rubber grommet (this will isolate and trap any steam to ensure maximum safety). Inset a 3-Core cable through the pierced hole in the protective cover and then thread the cable through from behind the back box into the power supply (diag. E).

Using a flat-headed screwdriver, securely connect the 3-Core cable to the terminal block inside the metal casing. Simply attach the labelled male and female connectors to activate the LED light of the mirror panels. Attach side mirror panels securely onto the metal back box mounted on the wall; secure tightly using the four screws shown in diag. C. Fit the two packs of holding bracket by twisting the nut of the bracket shown in diag. D. Slide the glass shelf onto the fitted brackets. Finally, switch on the mains electrical supply and activate your new mirror cabinet by pulling the pull cord.



diag. E

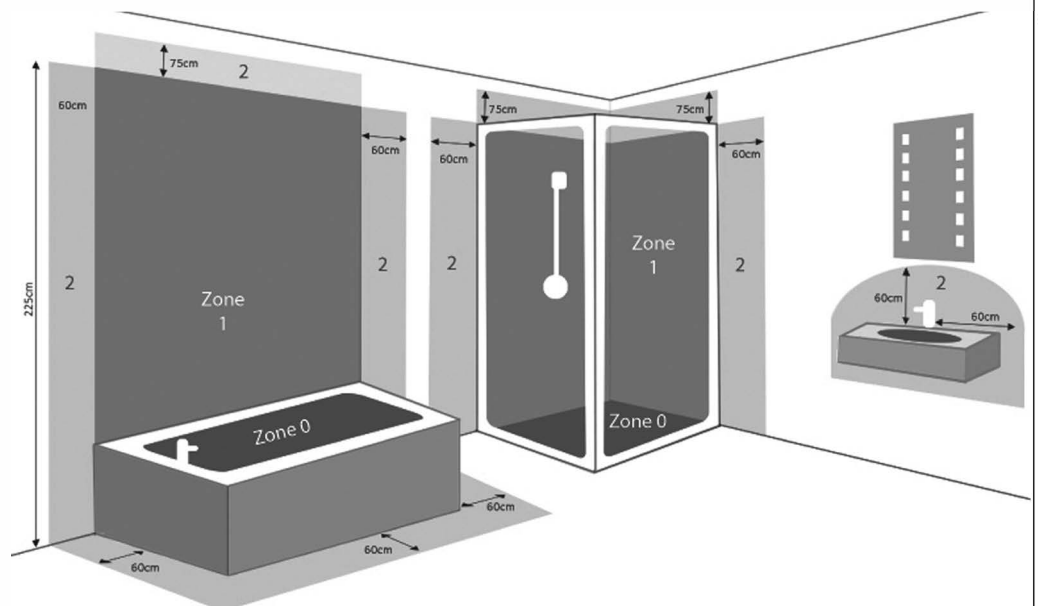
ZONE

0 Inside the bath or shower. Must be SELV (12V max.) due to water submersion. Minimum rating of IP67.

1 225cm above the bath or shower. Minimum rating of IP44.

2 The area stretching to 60cm outside the bath or shower and 60cm from water outlet of sink. An IP rating of at least IP44 is required.

The light fitting is suitable for installation in zone 2 and the outside zones.



OUTSIDE ZONES. Anywhere outside zones 0, 1 & 2. Where water jets are not used for cleaning purposes, the general rules of BS7671 apply.

Maintenance & Care

- Ensure that the power is disconnected prior to cleaning.
- To keep the finish of this product, wipe over with soft cloth periodically.
- Do not use harsh chemical solvents, this may dis-colour or damage the finish.